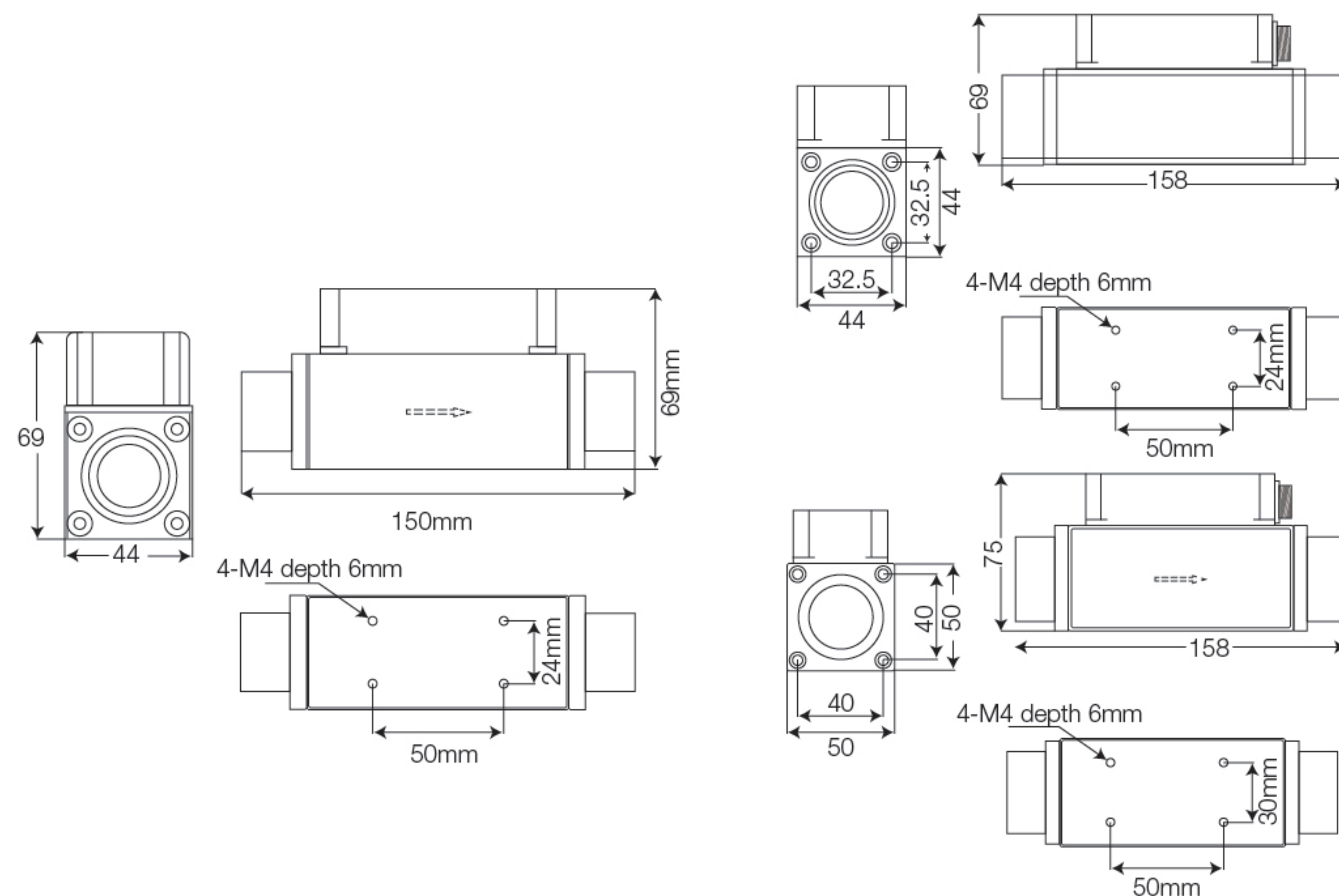


The Series KF130 Thermal Gas Mass Flowmeter

The display orientation can be set to 0°, 90°, 180°, or 270°, with multiple configurations.



The Series KF130 Thermal Gas Mass Flowmeter is equipped with a MEMS sensor. Leveraging its miniaturization and high-sensitivity characteristics, it achieves millisecond-level rapid response to capture transient changes in gas flow accurately. It exhibits outstanding zero-point stability, ensuring high-precision measurement even under complex operating conditions, with minimal repeatability error for reliable data. The device features an extensive turndown ratio, offering multiple flow range options to suit diverse application scenarios. Its display design offers flexible viewing angles (0°, 90°, 180°, 270°) for optimal readability across various installation environments. Supporting multiple signal output methods, it meets diverse system integration requirements. Additionally, it comes with a standard thread for quick connection to pipelines and equipment, ensuring convenient and efficient installation.

FEATURES

- Utilizes MEMS sensors with fast response time
- Stable zero point, high accuracy, and excellent repeatability
- Wide turndown ratio with selectable flow ranges
- Selectable display orientation (0°, 90°, 180°, 270°)
- Multiple signal output options available
- Optional standard threads

APPLICATIONS

- Semiconductor industry
- Chemical industry
- Pharmaceutical industry
- Food and beverage industry
- Electronics industry
- Environmental protection industry
- Energy industry
- Scientific research field

SPECIFICATIONS	
Accuracy	±(2.0+0.2FS)%
Power Supply	15-24V DC/100mA
Response Time	50 ms - 1000 ms
Output	4-20mA or RS485
Zero Drift	±20mV
Display	Instantaneous flow, cumulative flow
Temperature Rating	-10°C to 55°C
Humidity Limit	Humidity: <95%RH, non-condensing
Storage Temperature	-10°C to 65°C
Communication	RS485 (Modbus RTU)
Pressure Rating	≤1.6MPa
Calibration Medium	Air 20°C, 101.325kPa

MODEL CHART							
Example	KF130	-10	-L0200	-GW1	-A	-AIR	-P0
Series	KF130						Thermal Gas Mass Flowmeter
Pipe Size		10					DN10, Flow Range: 2.8 L/min -280 L/min
		15					DN15, Flow Range: 6 L/min -600 L/min
		20					DN20, Flow Range: 10 L/min -1000 L/min
		25					DN25, Flow Range: 15 L/min -1500 L/min
Max Flow			Lxxxx				L0200 means 200L/min, L1500 means 1500L/min
Process Connection				GW1			3/8" BSP male (DN10)
				GW2			1/2" BSP male (DN15)
				GW3			3/4" BSP male (DN20)
				GN1			3/8" BSP female (DN10)
				GN2			1/2" BSP female (DN15)
				GN3			3/4" BSP female (DN20)
				NW1			3/8" NPT male (DN10) custom-made
				NW2			1/2" NPT male (DN15) custom-made
			NW3			3/4" NPT male (DN20) custom-made	
Output					A		4-20mA
					R		RS485
Medium Type						AIR	Air (default)
						N2	Nitrogen
						O2	Oxygen
						CO2	Carbon dioxide
						MG	Other mixed gases
Pressure Rating						P0	≤1.6MPa (default)
						P1	Customized other pressure ratings
Note	All flow measurement ranges are data based on air.						